

DCA621AC thermostat for air condition



Features:

- Super large screen, LED light
- Room temperature and time display
- Permanent memory of power off
- Celsius or Fahrenheit
- 7-day programable, 6 periods setting

Main technical requests:

Power: 85~275VAC

Temperature range display: 5°C~45°C/41°F~113°F

Temperature precision: 0.5°C/0.9°F

Working temperature: 0°C~+50°C(32°F~122°F)

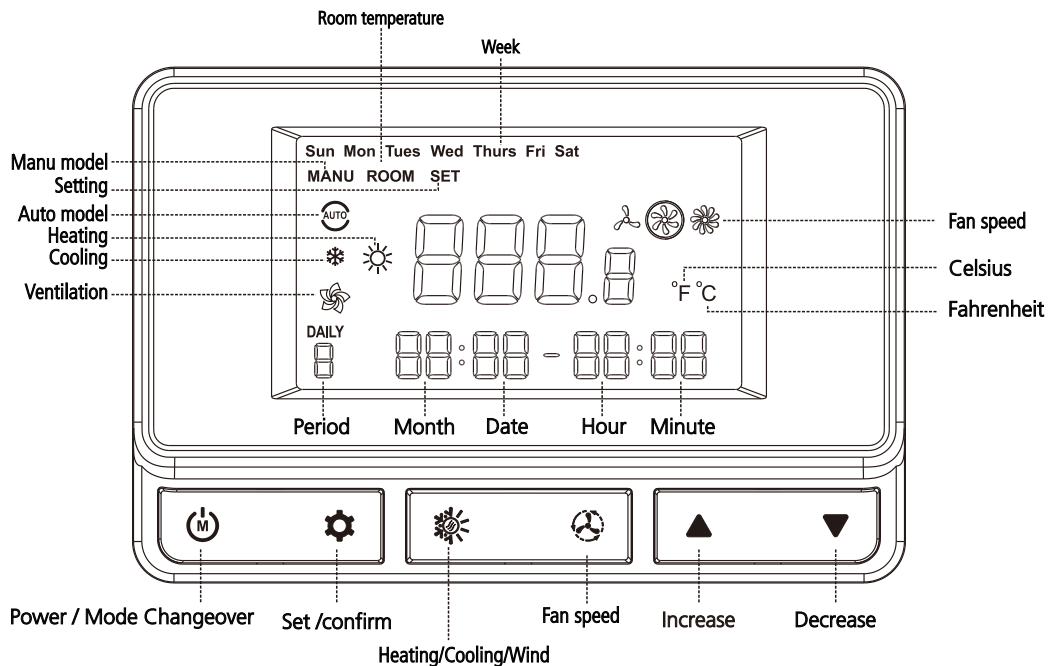
Max.overload current: 16A

Overall size: 125mmX83.5mmX30.5mm

Application

Applied to air condition or another ways which control temperature

Keys and illustrations



Keys and functions

There are 6 keys: "M" "gear" "sun/cold" "fan" "▲" "▼".

- 1 "M": Mode switching and power button. In the off state, press this button for 3 sec. to turn it on. In the power-on state, press this button to cycle through the automatic mode and manual mode. Press and hold in the power on state for 3 sec. to shut down.
- 2 "gear": Set /confirm. 3 sec. press to enter the parameter settings.
- 3 "sun/cold": Hot and cold air switch button. Press this button to cycle through the cooling, heating, and ventilation states.
- 4 "fan": Fan speed changeover button. Press this button to cycle through low , middle, high , and auto wind conditions.
- 5 "▲": Increasing.
- 6 "▼": Decreasing.

Functions and features

1. Operating mode:

- ① Manual mode:
Temperature operation range:5-35°C(41.0-95.0°F), Only one period setting is available in one day.
- ② Automatic mode:
Setting more periods in one day and most periods can reach 6. Each ending time is next start time. 7day, from Monday to Sunday. Ending day is next start day.

2. Time and temperature display

- ① System time adjustment:
Adjust hour, minute and week.
- ② Temperature display:
Celsius or Fahrenheit can be chosen. When it's idle, just show "ROOM". Refresh temperature value at every 10s.

3. Temperature setting

Range is 5-45°C(41.0-113°F), show one digit. Power on at the first time, the default value is 21°C (70°F),press "▲" or"▼", adjust 0.5°C(0.5°F) each time.

4. Self diagnosis

When sensor is faulty, this equipment will do self diagnosis. Screen will show fault code and shut down output. After getting rid of fault, it recovers automatically

5. Data protection

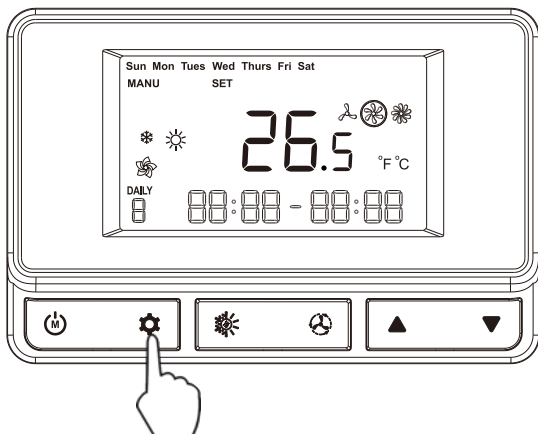
After power is off, the last data will be reserved. When power is on again, it will recover last data automatically.

Mode switching

Though "M", you can choose manual and automatic mode. Meanwhile, display screen will show corresponding "MANU" "AUTO"

Manual mode setting

1. Press"⚙" is to set temperature value
2. Press"▲" or"▼"is to adjust temperature
3. Press"⚙" means enter



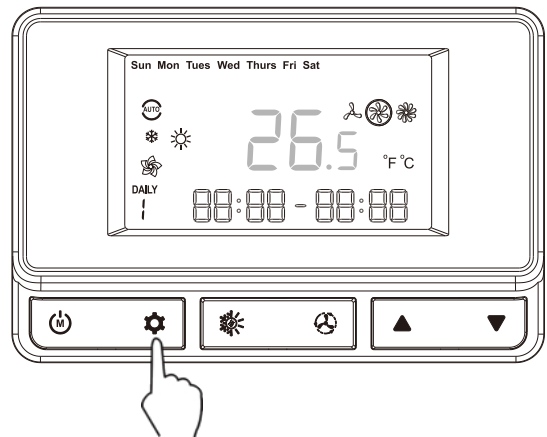
AUTO mode setting

Under auto mode, it can set 7-day programming

1. After pressing"⚙",day will glitter
2. Press"▲"or"▼"and choose the day you want to set
3. Press"⚙" and set periods
4. Press"▲"or"▼"is to choose the number of period.
Range from 1-6 periods.
5. Press"⚙",period 1 ends up and hour is glittering
6. Press"▲"or"▼"choose to end up hour
7. Press"⚙",period 1 ends up, minute is glittering
8. Press"▲"or"▼"is to end up minute
9. Press"⚙",temperature value is glittering
10. Press"▲"or"▼"is to increase or decrease the temperature value

If period is more than 1, press"⚙" to save data after setting.

⚠ Caution: Intervals between each period would be at least 15min.



System parameters setting

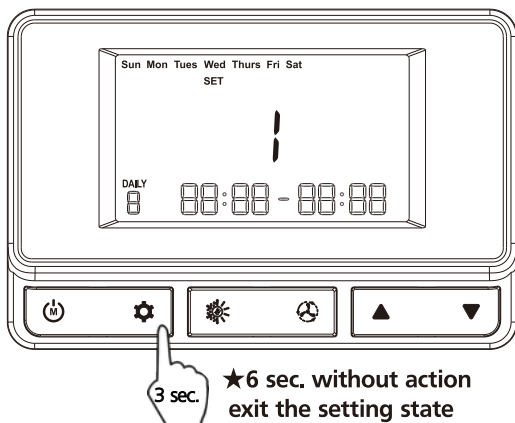
When it's on, hold "⚙️" with 3 seconds, then, it goes into parameters setting. Show No. 1,3, press"▲"or"▼"to choose number and press"⚙️"to set parameters. After 6 seconds without touching any key , it will exit setting mode automatically.

System parameters:

- ① Date and time setting
- ② Switch Celsius temperature and Fahrenheit temperature over

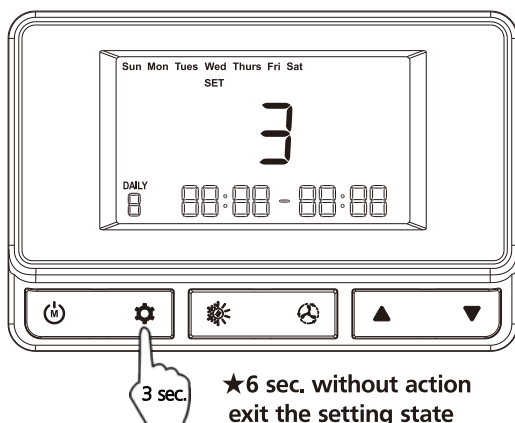
Date and time setting

When the main temperature screen shows 1, press"▲"or"▼"to adjust week, year, month ,day, hour and minute.
(When number is glittering, make choices and enter"⚙️"for confirmation and data preservation.)



Celsius and Fahrenheit changeover

When the main temperature screen shows 3 , press "⚙️"and enter setting of Celsius temperature and Fahrenheit temperature switch over. On the main temperature screen, it shows current temperature unit. Choose temperature though"▲"or"▼", press "⚙️"again to confirm data preservation.



Temporary temperature setting

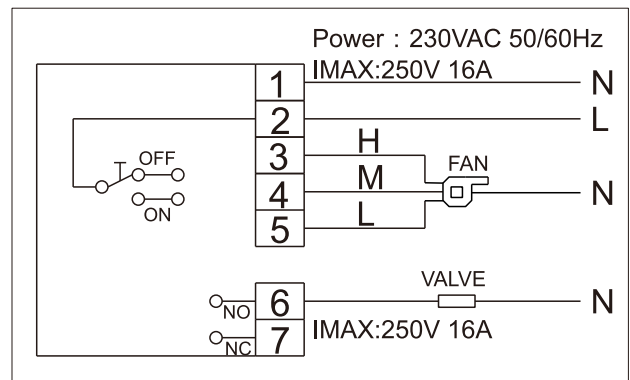
During normal service, Press "▲" or "▼" to change temporary temperature. Press "▲" or "▼" means increase or decrease temperature, if there is no actions within 1 seconds, temporary temperature works.

⚠️ Caution: This temporary temperature just works in this setting period. It doesn't work for neither system working mode nor any other periods.

Thermostat sensor fault display

"E1" means fault of internal sensor.
Any fault happened, output relay will stop heating.
After getting rid of fault, it recovers automatically.

Diagram

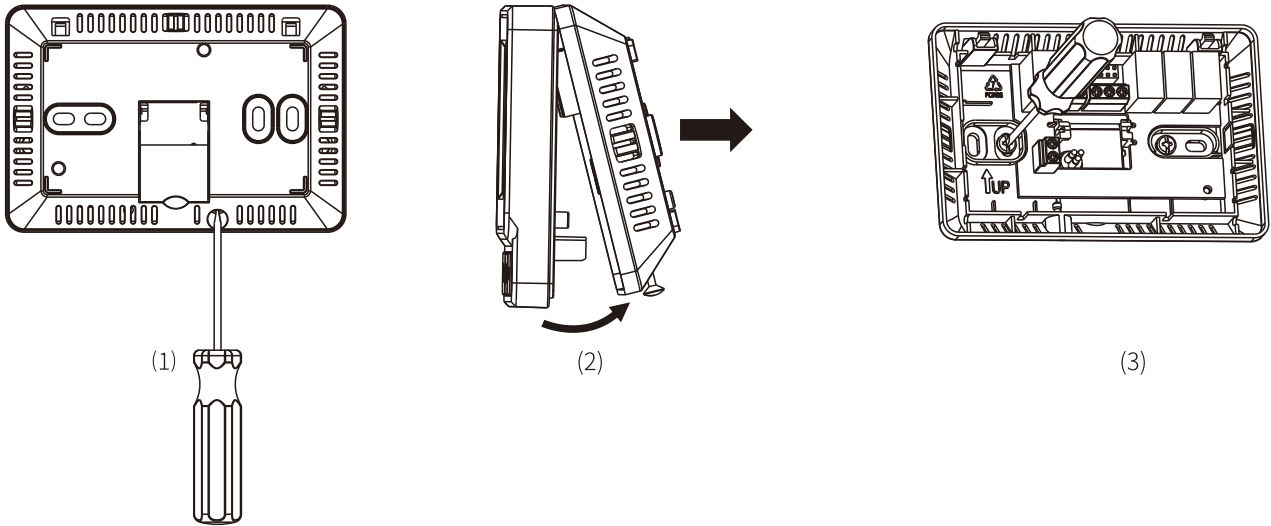


Installation layout

Pic.1 : Loose the base screw.

Pic.2: Separate the base with the cover.

Pic.3: Fix the base on the wall with fastening screw.



Pic.4: After connecting the wire, connect the base & cover till you hear "ka".

Pic.5: Fasten the base screw.

